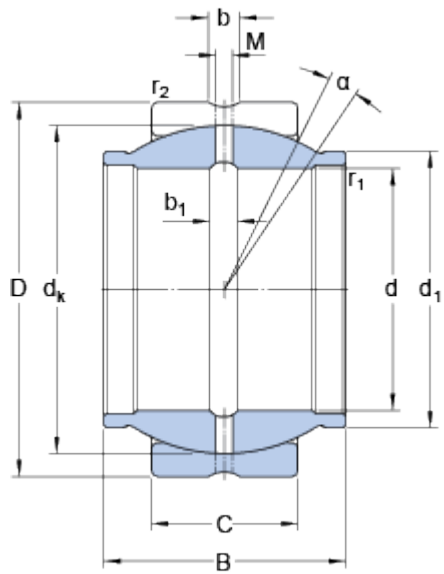


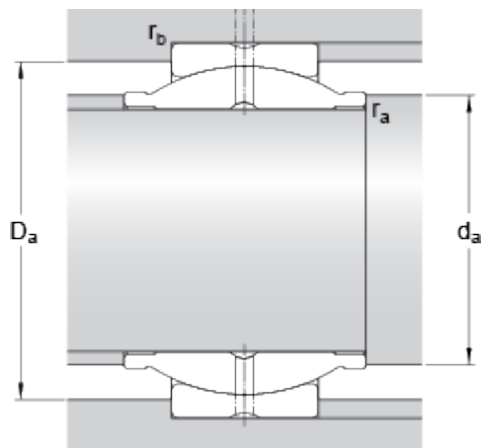
GEG 63 ES

Dimensions



d		63	mm
D		95	mm
B		63	mm
C		36	mm
α		4	°
d_k		83	mm
d_1	≈	71.5	mm
b		6.2	mm
b_1		6.2	mm
M		4	mm
r_1	min.	1	mm
r_2	min.	1	mm

Abutment dimensions



d_a	min.	69.7	mm
d_a	max.	71.5	mm
D_a	min.	78.9	mm
D_a	max.	89.2	mm
r_a	max.	1	mm
r_b	max.	1	mm

Calculation data

Basic dynamic load rating	C	255	kN
Basic static load rating	C_0	1270	kN
Specific dynamic load factor	K	100	N/mm ²
Specific static load factor	K_0	500	N/mm ²
Material constant	K_M	330	

Mass

